



ST101B

Single 10" Loaded Enclosure



500W
PEAK POWER



10"
SINGLE SUB



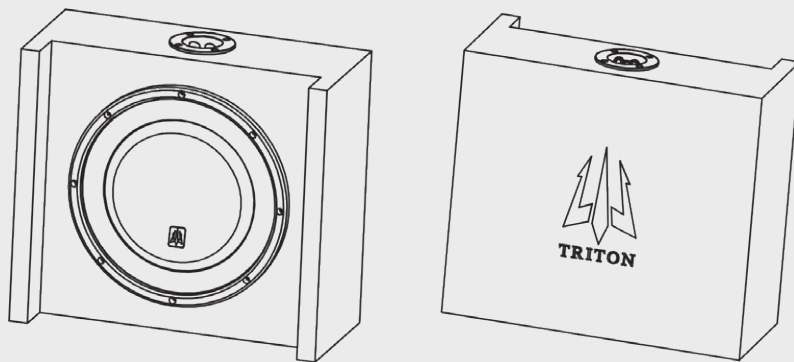
2 OHM
IMPEDANCE



DUAL
VOICE COIL

SUBWOOFER:

10" ST Subwoofer
Peak Power: 500W
RMS Power: 250W
Voice Coil: 2.5"
Frequency Response: 38Hz ~ 450Hz
Nominal Impedance: 4 Ohms
Magnet: 35.4 oz.



ENCLOSURE:

Prewired to 2 Ohm Final Load
Automotive Grade Carpet
MDF Sealed
Dimensions: 14.37"W x 12.75"T x 6.5"D

