

# SX8D4

8" DVC Subwoofer



**1200W**  
PEAK POWER



**8"**  
WOOFER



**4 OHM**  
IMPEDANCE



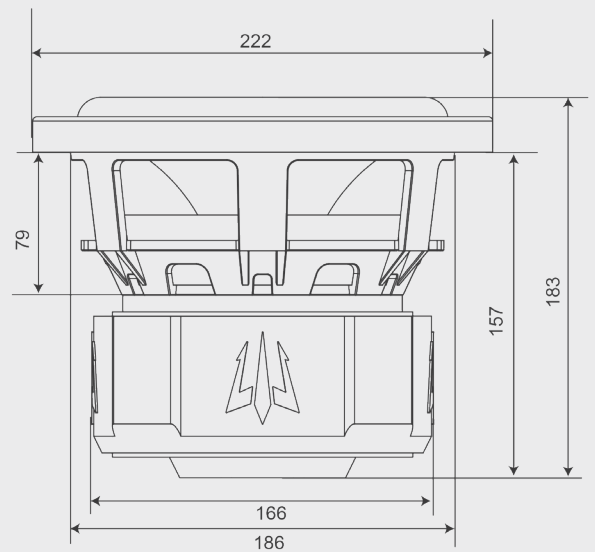
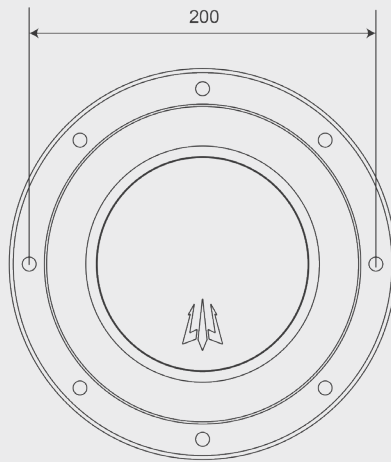
**DUAL**  
VOICE COIL

## SPECIFICATIONS:

Peak Power: 1200W  
RMS Power: 600W  
Voice Coil: 3"  
Impedance: 4 Ohms  
Magnet: 60 oz. x 2

## FEATURES:

Die-Cast Aluminum Basket  
Non-Pressed Paper Cone  
Stitch Foam Surround





## Thiele/Small Parameters

	SX6D2 Parallel Coils	SX6D2 Series Coils	SX8D2 Parallel Coils	SX8D2 Series Coils	SX10D2 Parallel Coils	SX10D2 Series Coils	SX12D2 Parallel Coils	SX12D2 Series Coils	
<b>Electrical Parameters</b>									
<b>Re</b>	1.07	4.27	1.03	4.1	0.99	3.94	0.98	3.9	<b>Ohm</b>
<b>Le</b>	0.827	3.302	1.081	4.346	1.117	4.499	1.092	4.391	<b>mH</b>
<b>L2</b>	1.262	5.008	1.832	7.3	2.088	8.341	2.008	7.973	<b>mH</b>
<b>R2</b>	2.1	8.31	2.91	11.48	3.49	13.95	3.41	13.53	<b>Ohm</b>
<b>Cmes</b>	2507.88	655.59	2471.38	611.31	3386.49	849.39	4244.45	1057.23	<b>µF</b>
<b>Lces</b>	5.25	19.47	5.75	23	4.83	19.26	4.41	17.58	<b>mH</b>
<b>Res</b>	10.39	46.18	11.22	47.59	11.21	44.39	9.57	39.28	<b>Ohm</b>
<b>fs</b>	43.9	44.5	42.2	42.4	39.4	39.4	36.8	36.9	<b>Hz</b>
<b>Mechanical Parameters (using laser)</b>									
<b>Mms</b>	133.918	140.509	243.816	236.71	355.654	354.712	428.618	432.956	<b>g</b>
<b>Mmd (Sd)</b>	132.068	138.659	240.714	233.608	349.171	348.229	414.794	419.132	<b>g</b>
<b>Rms</b>	5.138	4.641	8.792	8.137	9.367	9.407	10.555	10.427	<b>kg/s</b>
<b>Cms</b>	0.098	0.091	0.058	0.059	0.046	0.046	0.044	0.043	<b>mm/N</b>
<b>Kms</b>	10.17	11.01	17.14	16.83	21.76	21.68	22.89	23.29	<b>N/mm</b>
<b>Bl</b>	7.307	14.64	9.933	19.678	10.248	20.435	10.049	20.237	<b>N/A</b>
<b>Lambda s</b>	0.216	0.225	0.067	0.047	0.055	0.046	0.014	-0.003	
<b>Loss factors</b>									
<b>Qtp</b>	0.704	0.753	0.661	0.659	0.814	0.812	0.921	0.92	
<b>Qms</b>	7.184	8.474	7.353	7.757	9.392	9.322	9.385	9.631	
<b>Qes</b>	0.741	0.784	0.674	0.668	0.828	0.827	0.96	0.957	
<b>Qts</b>	0.672	0.718	0.618	0.615	0.761	0.76	0.871	0.87	
<b>Other Parameters</b>									
<b>Vas</b>	2.6848	2.4812	3.1734	3.232	6.6795	6.703	17.4253	17.1278	<b>l</b>
<b>n0</b>	0.029	0.027	0.034	0.036	0.047	0.047	0.087	0.087	<b>%</b>
<b>Lm</b>	76.88	76.5	77.52	77.71	78.95	78.97	81.59	81.57	<b>dB</b>
<b>Lnom</b>	79.59	73.2	80.4	74.59	82.01	76.02	84.69	78.67	<b>dB</b>
<b>Sd</b>	<b>138.93</b>	138.93	196.07	196.07	320.47	320.47	530.93	530.93	<b>cm<sup>2</sup></b>
<b>EBP</b>	<b>59.2</b>	<b>56.8</b>	<b>62.6</b>	<b>63.5</b>	<b>47.6</b>	<b>47.6</b>	<b>38.3</b>	<b>38.6</b>	