



SQ8D4

8" DVC SUBWOOFER



400W
PEAK POWER



8 IN
SUBWOOFER



4 OHM
IMPEDANCE



DUAL
VOICE COIL

SPECIFICATIONS:

Peak Power: 400 Watts

RMS Power: 200 Watts

Impedance: 4 Ohm

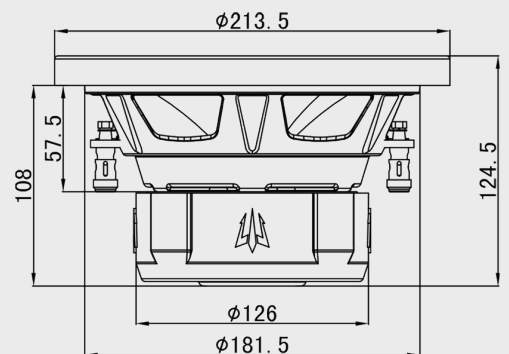
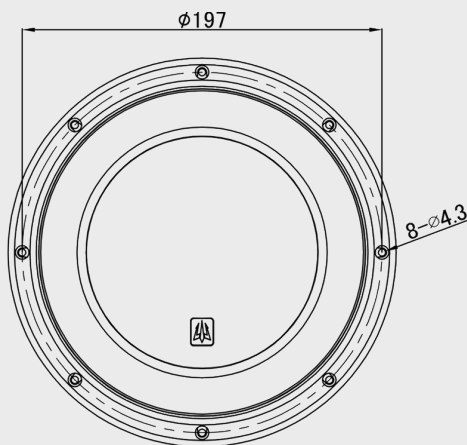
Voice Coil: 1.5"

Magnet: 48oz

Frequency Response: 45Hz \pm 20%

Sealed Box Volume: 0.3 cu. ft.

Vented Box Volume: 0.35 cu. ft.
(Port Tube: 2"x18")



FEATURES:

- Stitched In Tinsel Leads
- Black Polypropylene Cone
- Stamped Steel Basket
- Black Rubber Surround